



Touch keyboard and LCD display

- Support 30,000 valid cards & 150,000 records
- Support multiple cards(default IC card) ("D" means ID EM card)
- Support card, password, fingerprint and combination
- TCP/IP to PC
- Support P2P add device
- Wiegand or RS-485 interface to reader
- Door time out alarm, intrusion alarm, duress alarm and tamper alarm
- Anti-passback, multi-card open
- Support 128 efficient time and holiday schedules
- USB import/export configuration or log file;



LASFCX

Water-proof Fingerprint Standalone

Caratteristiche Tecniche

| | | |
|--------------------|--|--------|
| System | | |
| Main Processor | 32 Bit | |
| Input/Output Ports | | |
| Input | Inputs (Door sensor x 1, Exit button x 1, Alarm input x 1) | |
| Output | Output Relay x 3 (Door lockx 1, Bellx 1, Alarm x 1) | |
| Card Read | | |
| Read Format | 13.56MHz | 125KHz |
| Read Range | 1cm-3cm (max.) | |
| Response Time | <0.1s | |
| Fingerprint Read | | |
| Response Time | ≤1.5s | |
| Capacity | | |
| Card holders | 30,000 | |
| Events | 150,000 | |
| Fingerprint | 3000 | |

Function

| | |
|------------------|---|
| Network | P2P, DHCP |
| Access control | Anti-passback, Multi-card unlock |
| User Management | General, VIP, Guest, Patrol, Black list, Duress |
| Alarm Function | Door time out alarm, Intrusion alarm, Duress alarm, Tamper alarm |
| Schedule Setting | Support 128 groups of schedule, 128 groups of period and 128 groups of holiday period |

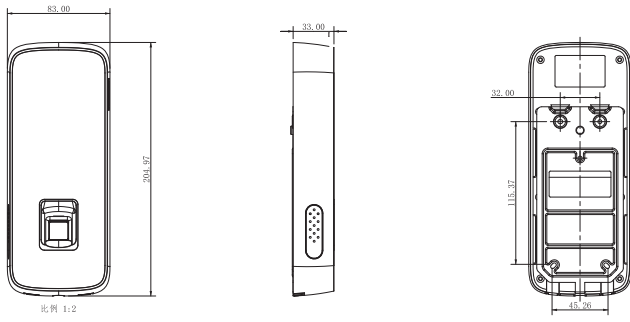
Interface

| | |
|-----------|---------------------|
| To PC | RJ45(10/100M) |
| To Reader | Wiegand26/34, RS485 |

Genreal

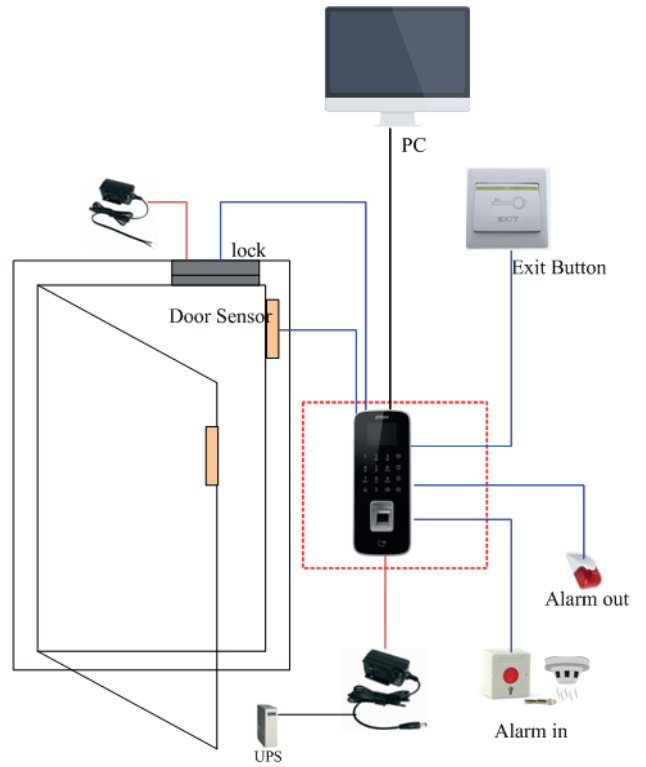
| | |
|-----------------------|-------------------------------|
| RTC | Yes |
| Voice Prompt | Yes |
| Beep Tone | Buzzer |
| Power Supply | DC 9-15V/400mA |
| Operating Temperature | -10°C to +55°C |
| Working Humidity | 10%RH-90%RH (no-condensation) |
| Dimension(WxDxH) | 83.0mm×210.0mm×33.0mm |
| Weight | 0.44kg |
| Working Environment | Indoor |

Dimensioni



Applicazioni

Small Office
One door controller



Hiltron Land S.r.l.

Strada Provinciale di Caserta, 218 80144 - Napoli - Italy
Tel: (+39) 081.185.39.000 Fax: (+39) 081.185.39.016
www.hiltronsecurity.net

