

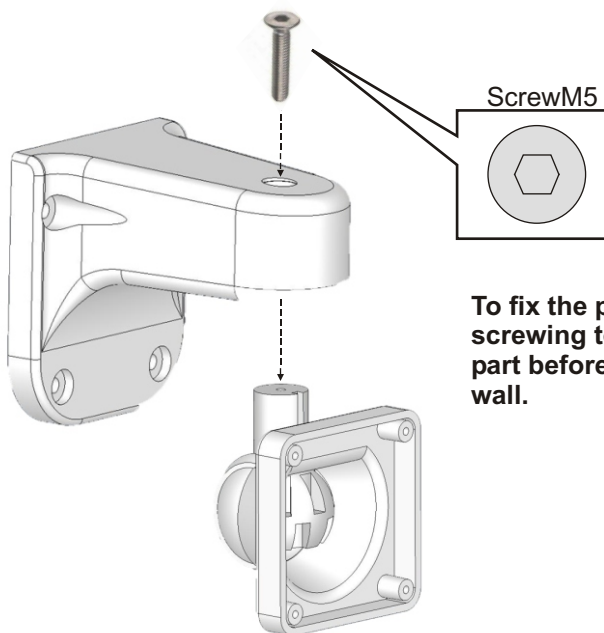
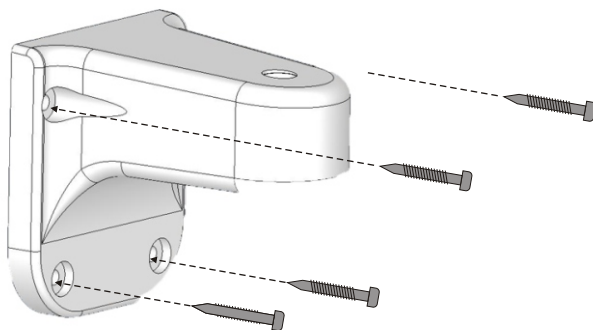
## INTRODUCTION

This joint, is designed to mounting detector ALERT.

Its design, allows the passage of cables in his interior and the installation both wall and ceiling.

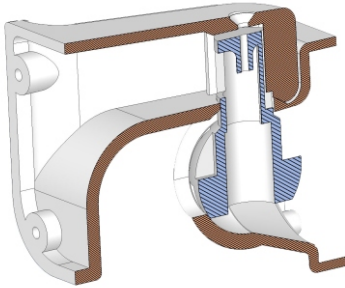
## INSTALLATION

**To support to the wall the joint part where will be inserted 4 anchors.**



**To fix the part of anchor screwing to the anchor part before fixed to the wall.**

**ANCHOR SECTION  
CABLE ENTRY**



To insert, making it pass inside junction.

Installation examples of junction.

