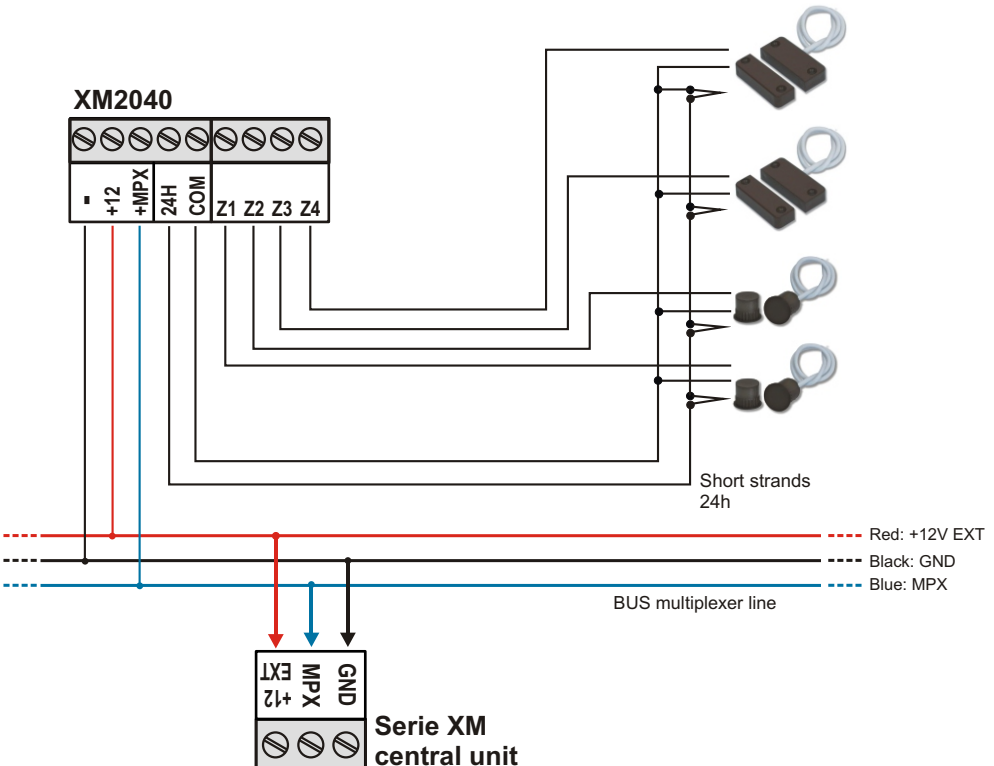


Features

- Connection on MPX line connection
- 4/8 independent inputs
- 24h common input
- Protection tamper escludible
- Logic / balanced setting for single input with multiple selector
- Maximum absorption 25mA
- Sensitivity of the inputs individually programmable in the control panel (from 50mS at225mS with 25mS steps)
- Input balancing resistor:3300 Ω
- Maximum resistance closing logic input:1000 Ω
- Dimensions (LxAxP) 71x73x22mm

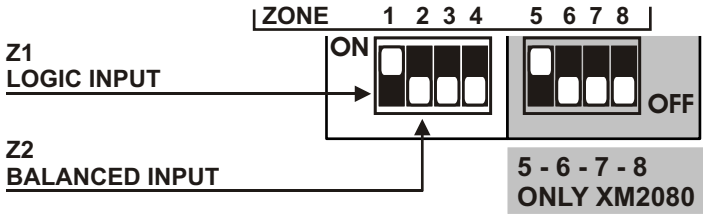


Connections



Move to the **ON** position to set the input in logic mode.

Move to the **OFF** position to set the input in balanced mode.



Move jumper **JP1** to the right to exclude the anti-opening tamper.



Programming

The following table illustrates which are the main functions of Type05 (T05)

PARAMETRI	
01	ABILITAZIONE
02	DESCRIZIONE
03	SERIALE
04	STATO MPX
05	ALLARME LINK MPX
06	TAMPER / INPUT 24H
07	POLAR. NA/NC
08	TIPO LOG/BIL
09	MANOM. LINEA
11	SENSIBILITA' DA 1 A 8
12	NUM. IMPULSI DA 1 A 4
13	NUM. IMPULSI DA 1 A 8
14	FUNZIONAM. LED
15	IMPIANTO
16	AREA
17	FUNZIONE
18	IMPIANTO COMANDO
19	MODO COMANDO
20	LIVELLO COMANDO
22	GONG IMM.
23	GONG RIT
24	INV.COMANDO
25	TIPO USCITA
26	TIMER IMPULSO (ST/EV)
27	USCITA SU BAD MPX
28	LED
29	USCITA LOGICA
30	MESS.COMUN.DIGIT.
31	ECHO USCITA

Repeat the programming for each single input.

FUNZIONE	
00	NESSUNA
01	DISINSERIMENTO
02	INSERIMENTO
03	INSER. / DISINSER.
04	INSERIM. SILENZIOSO
05	INSER. SIL. / DISINS.
07	STOP ALLARME
08	ZONA IMMEDIATA
09	ZONA RITARDATA
10	24H